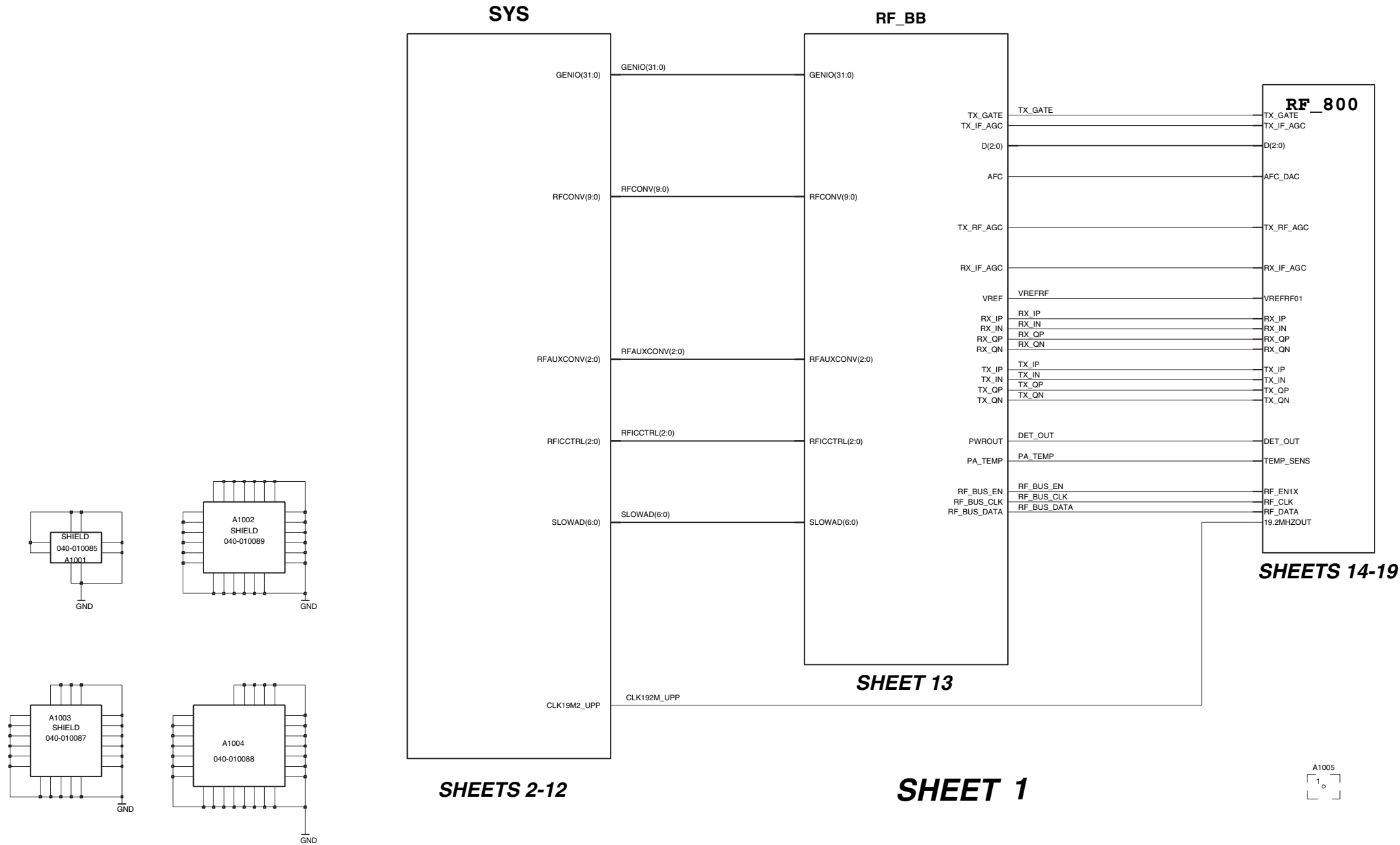


Schematics - Main PWB

Top Level

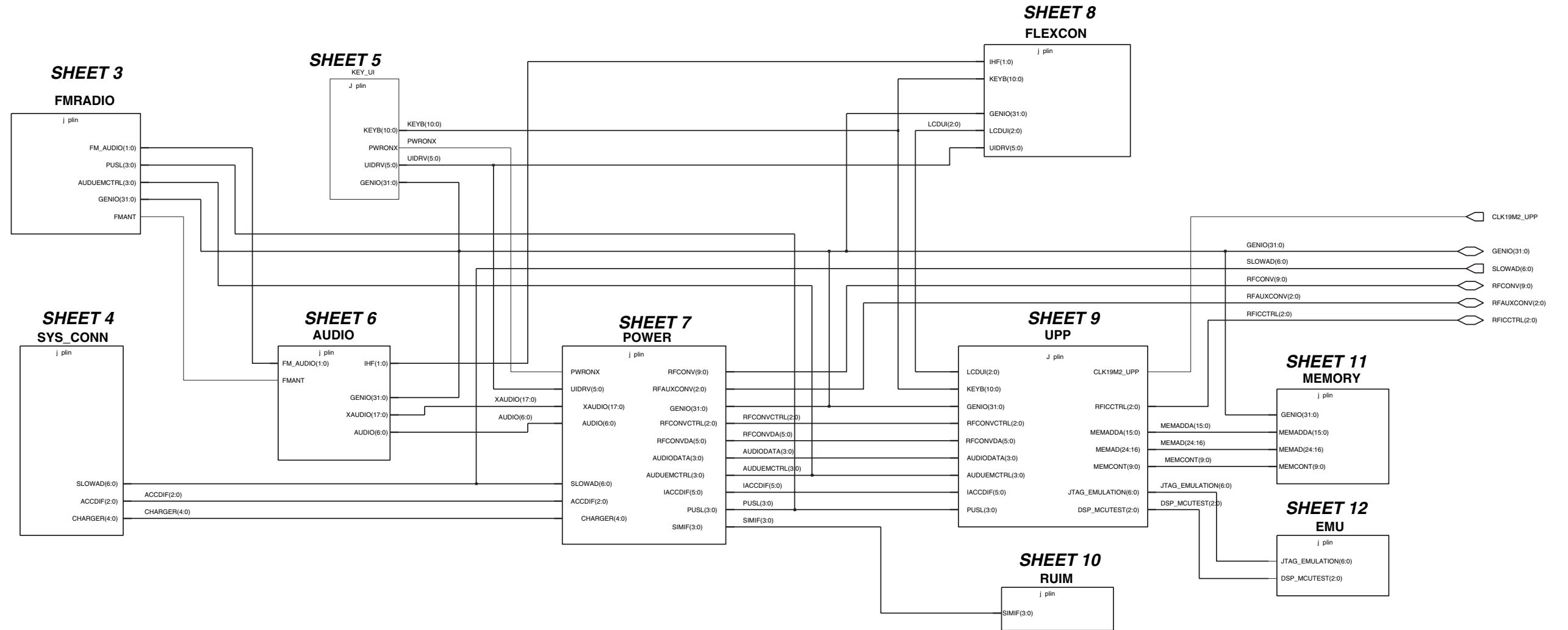
Version 7



Baseband Top Level

Version 7

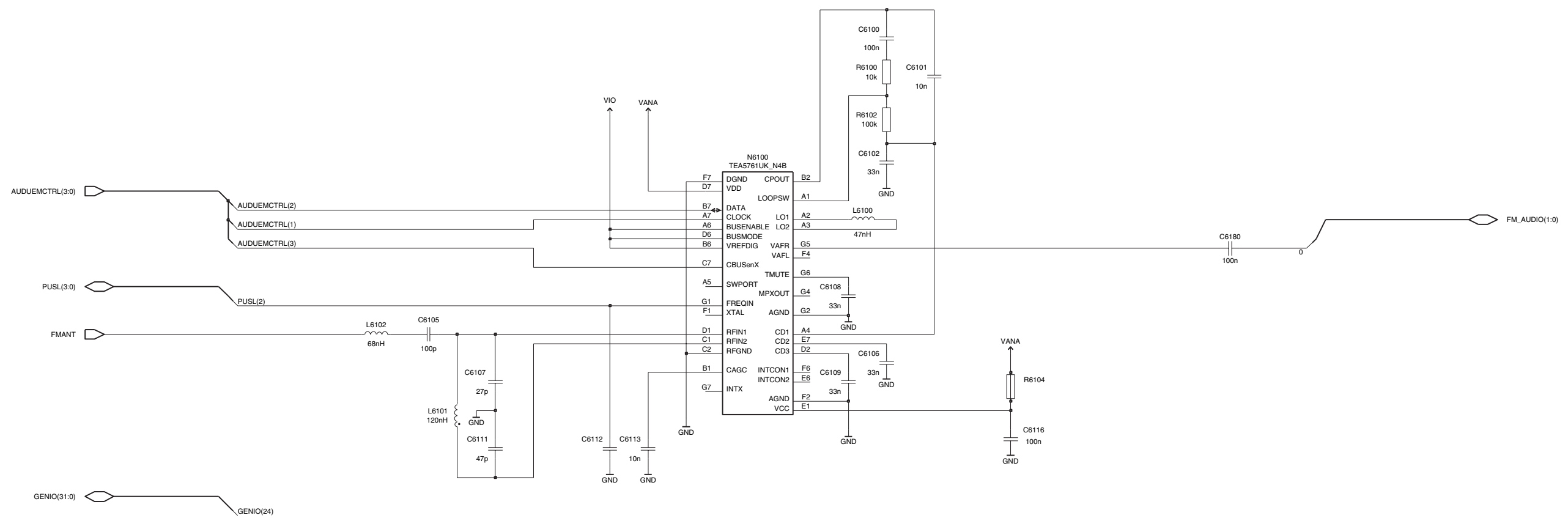
SHEET 2



FM Radio

Version 7

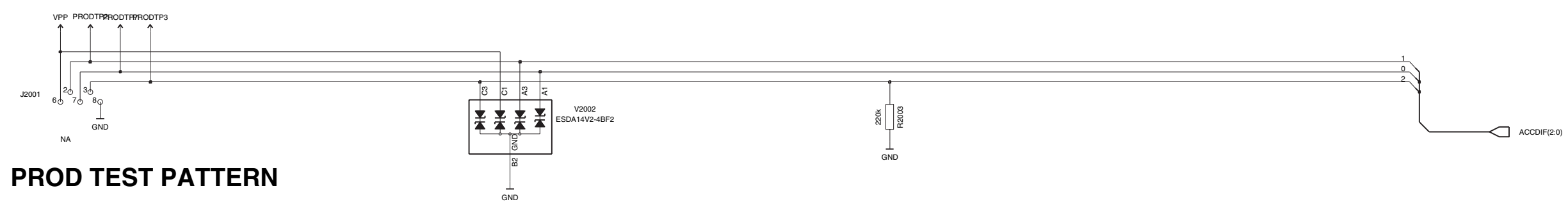
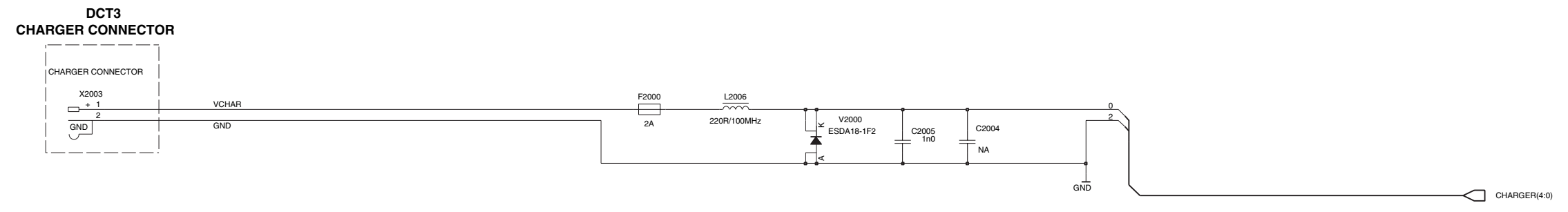
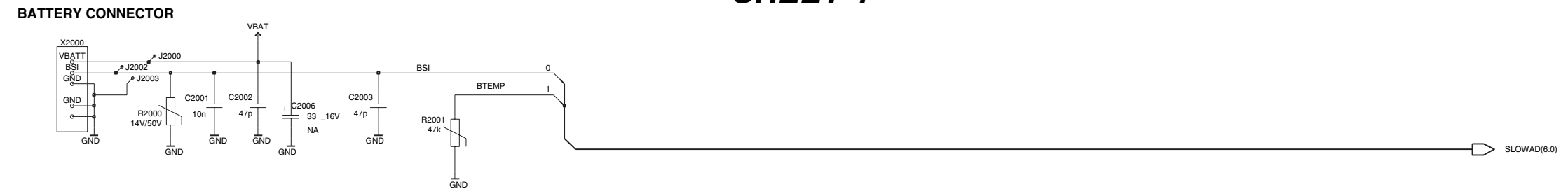
SHEET 3



System Connector

Version 7

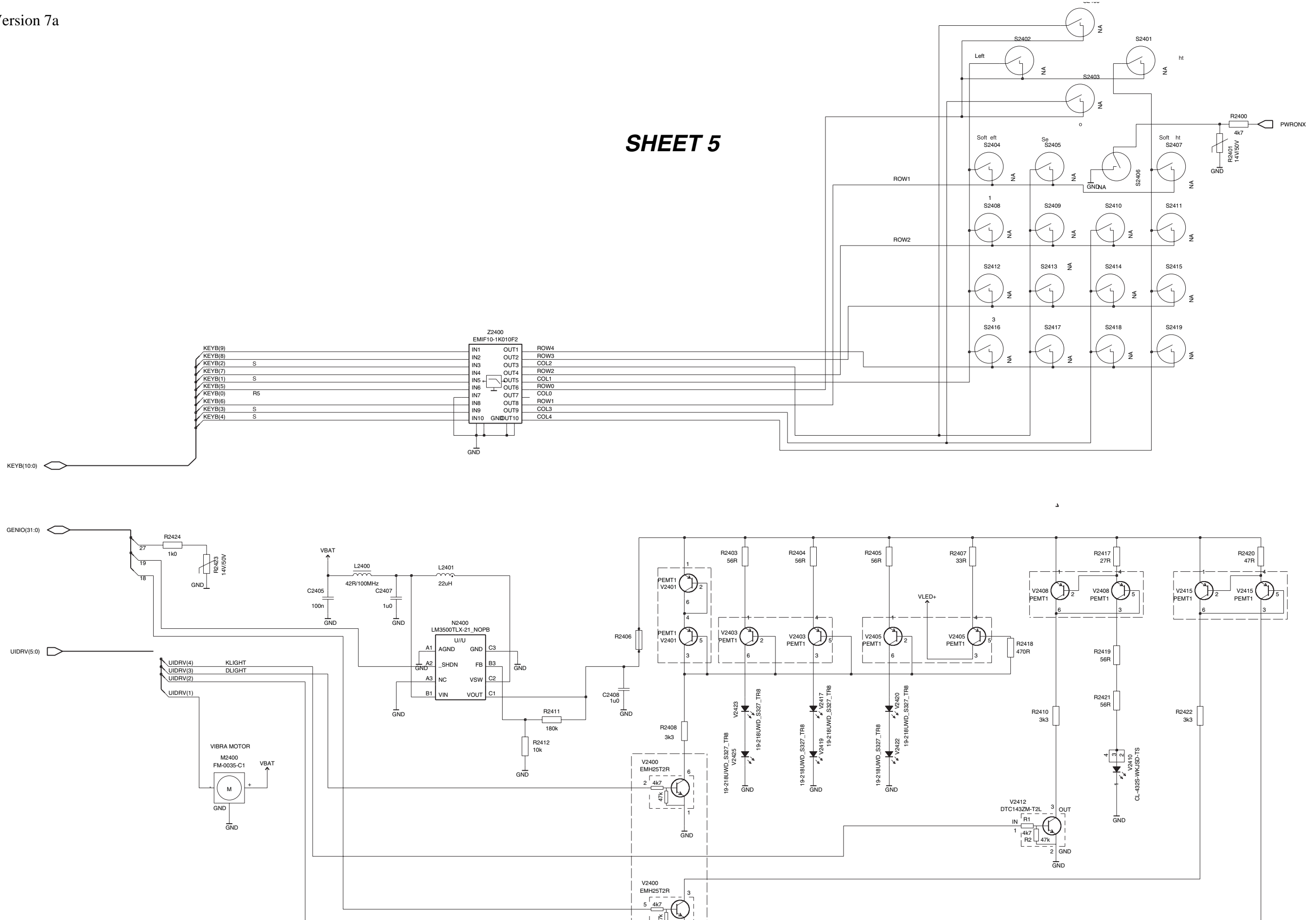
SHEET 4



Key UI

Version 7a

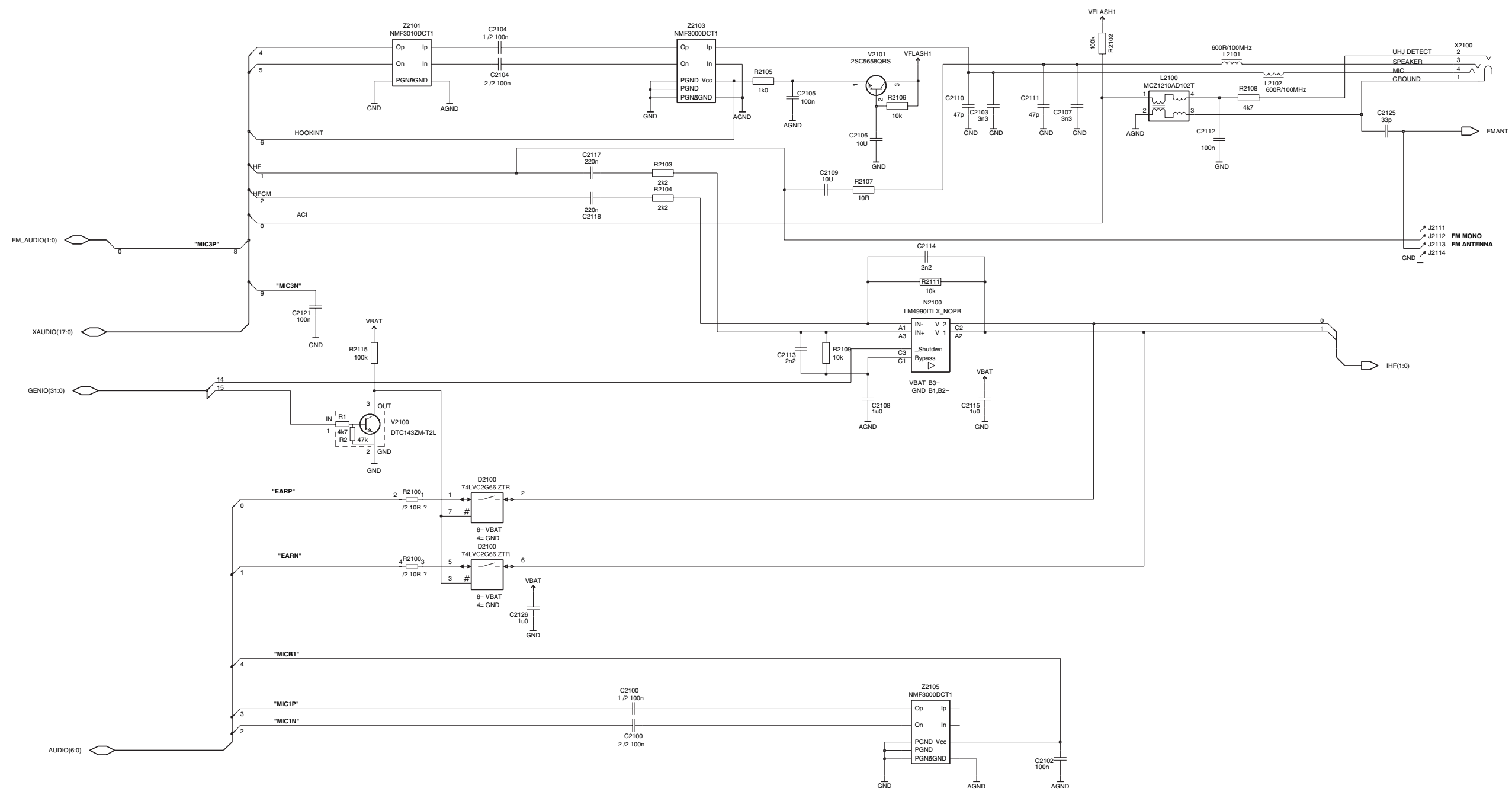
SHEET 5



Audio

Version 7

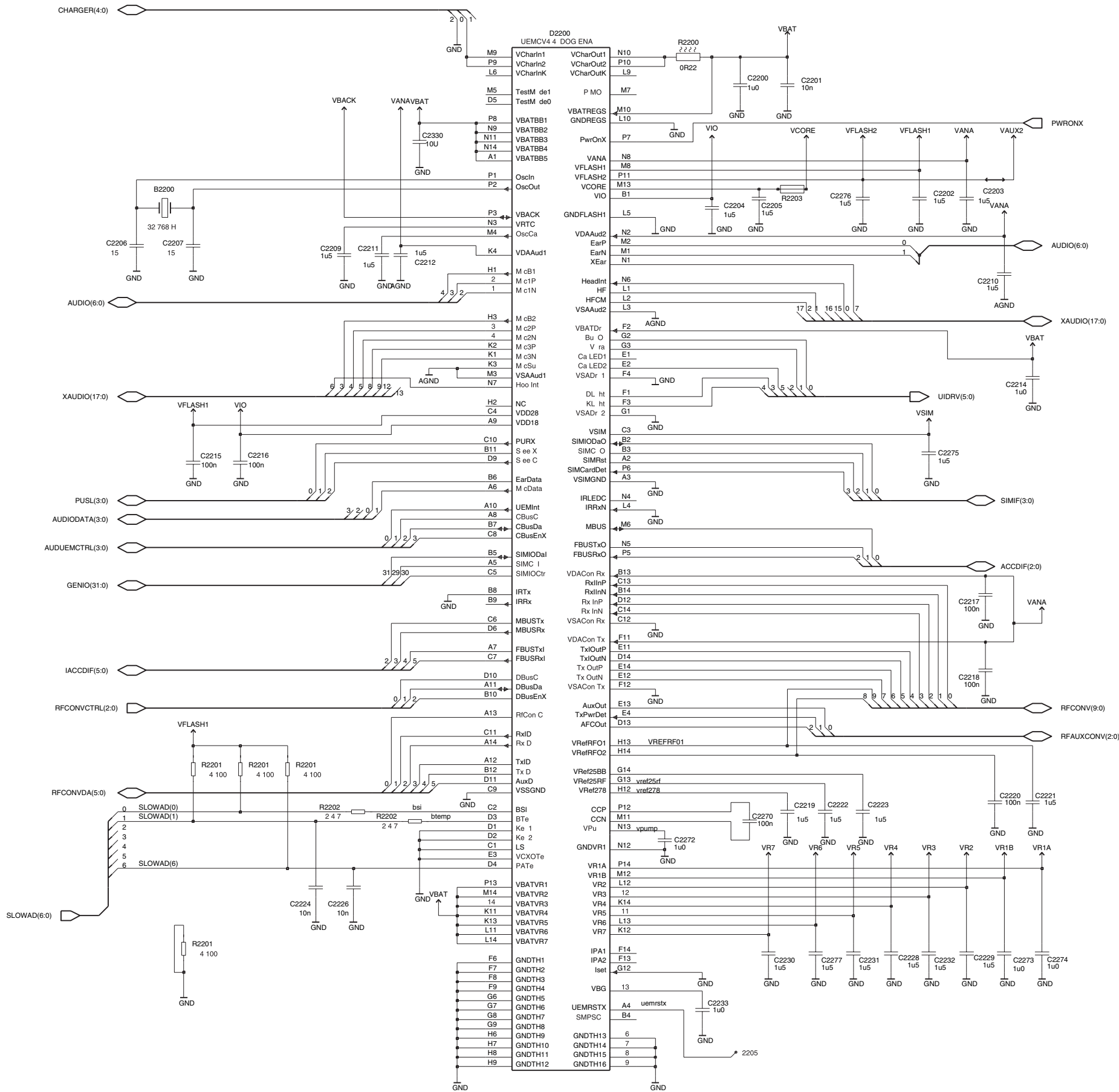
SHEET 6



Power UEMC

Version 7

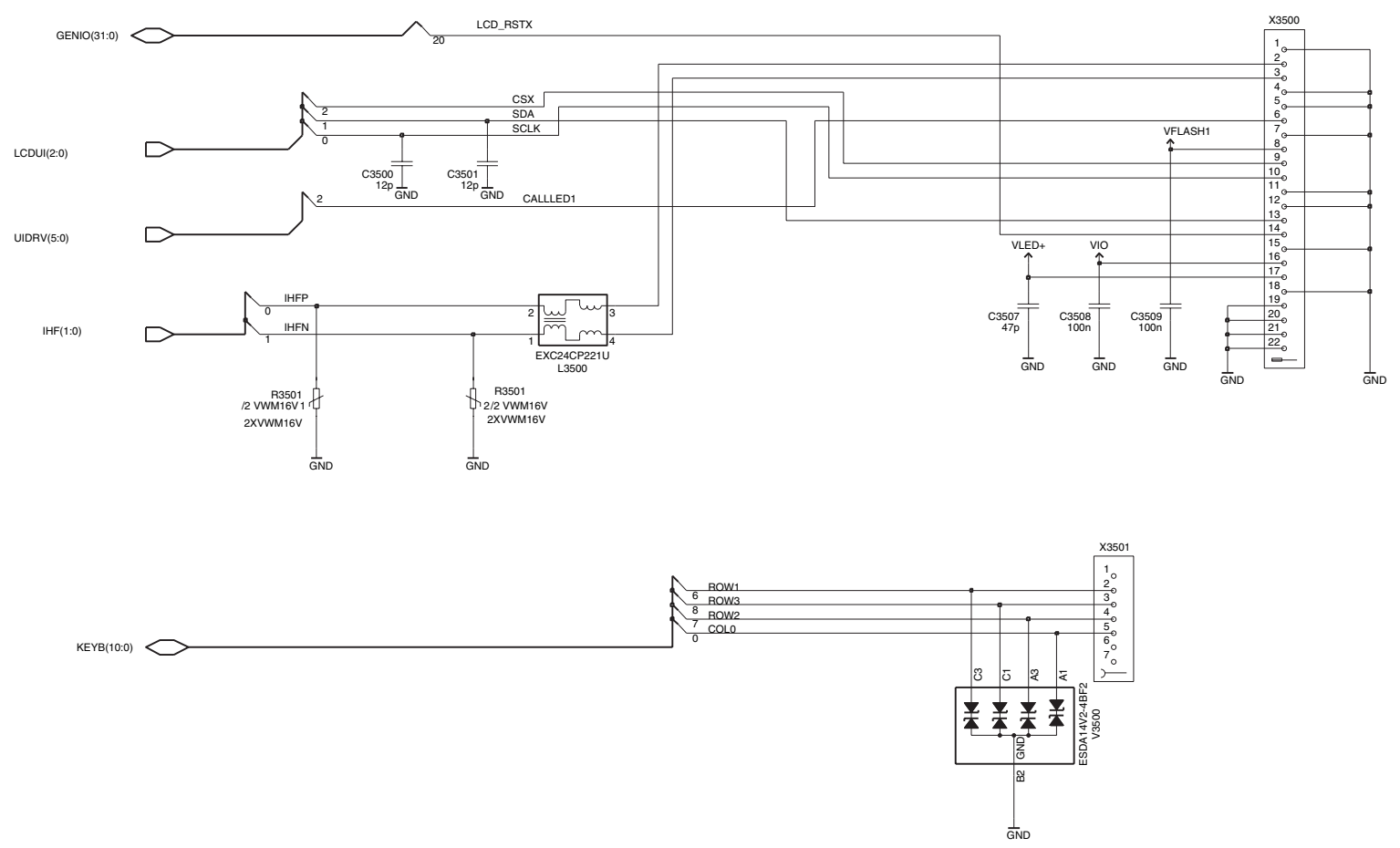
SHEET 7



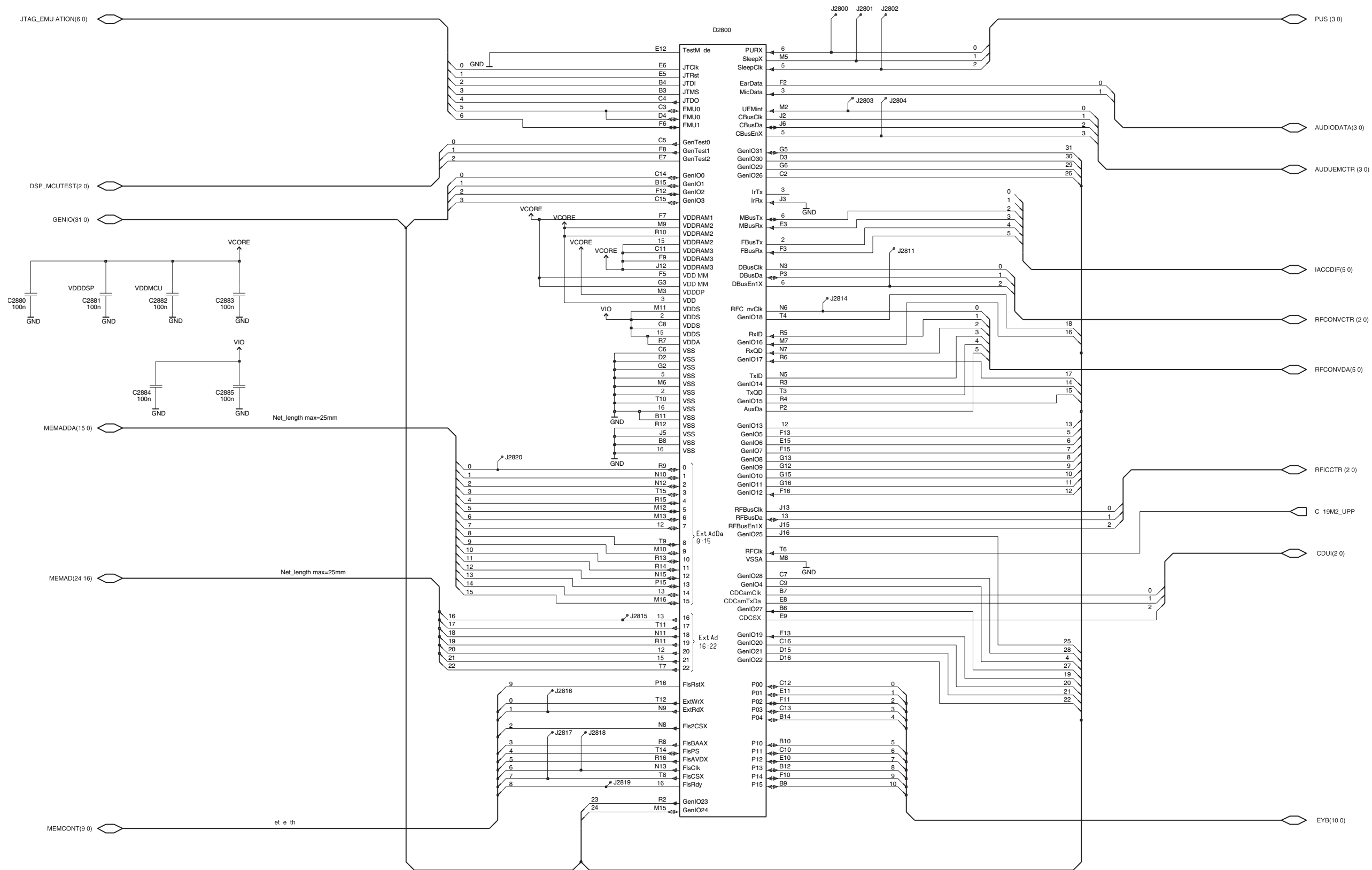
Flex Connector

Version 7

SHEET 8



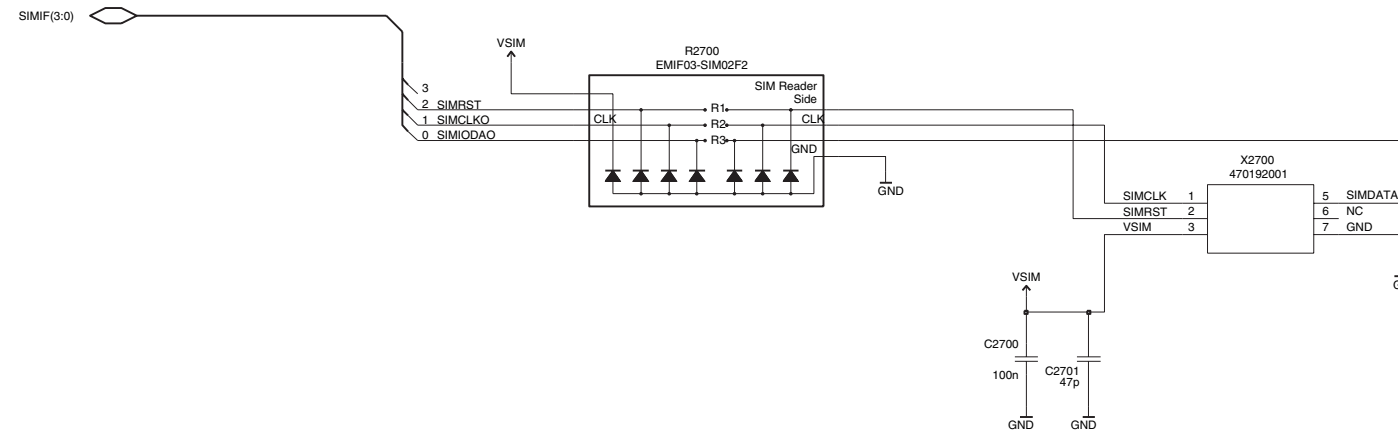
SHEET 9



RUM Card Connector

Version 7

SHEET 10

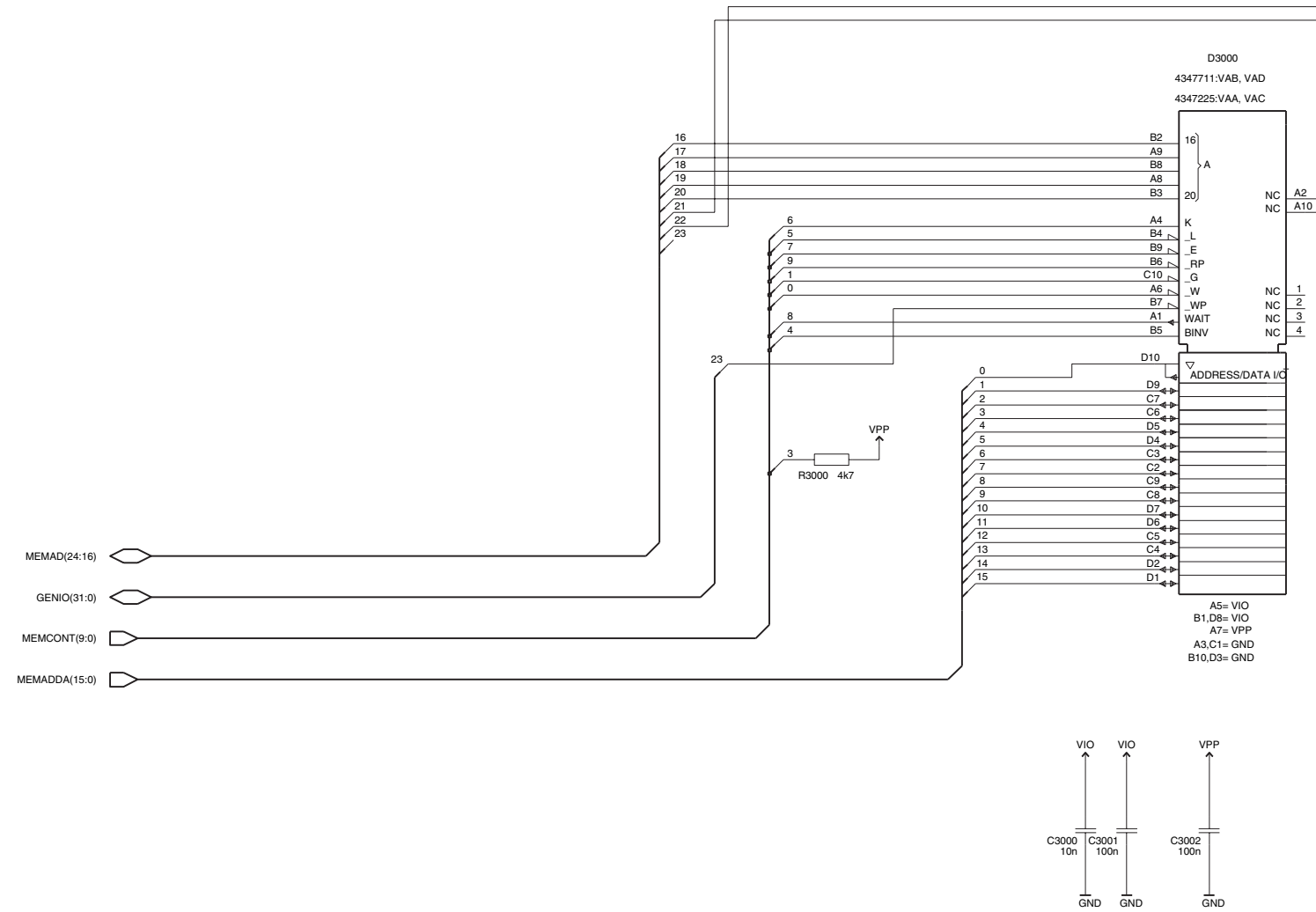


NOT POPULATED ON NON-RUIM MODULES

Memory

Version 7

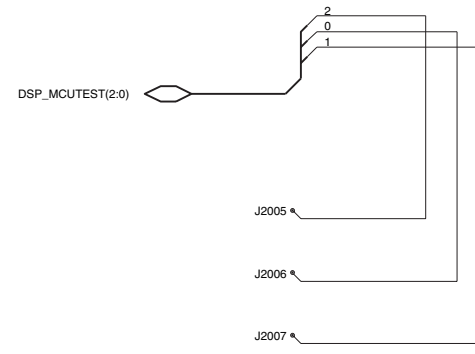
SHEET 11



Ostrich Connector

Version 7

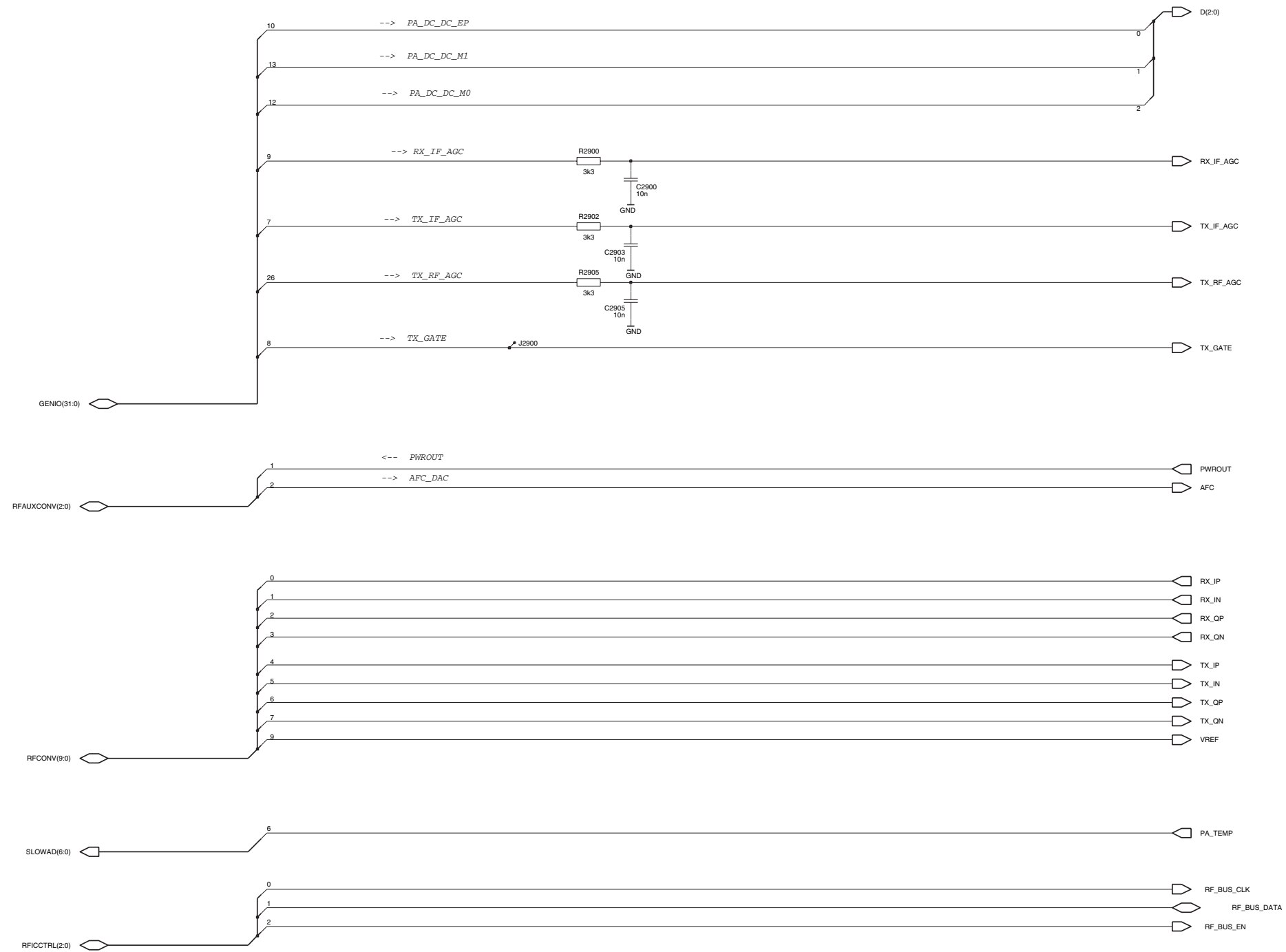
OSTRICH



Baseband RF Interface

Version 7

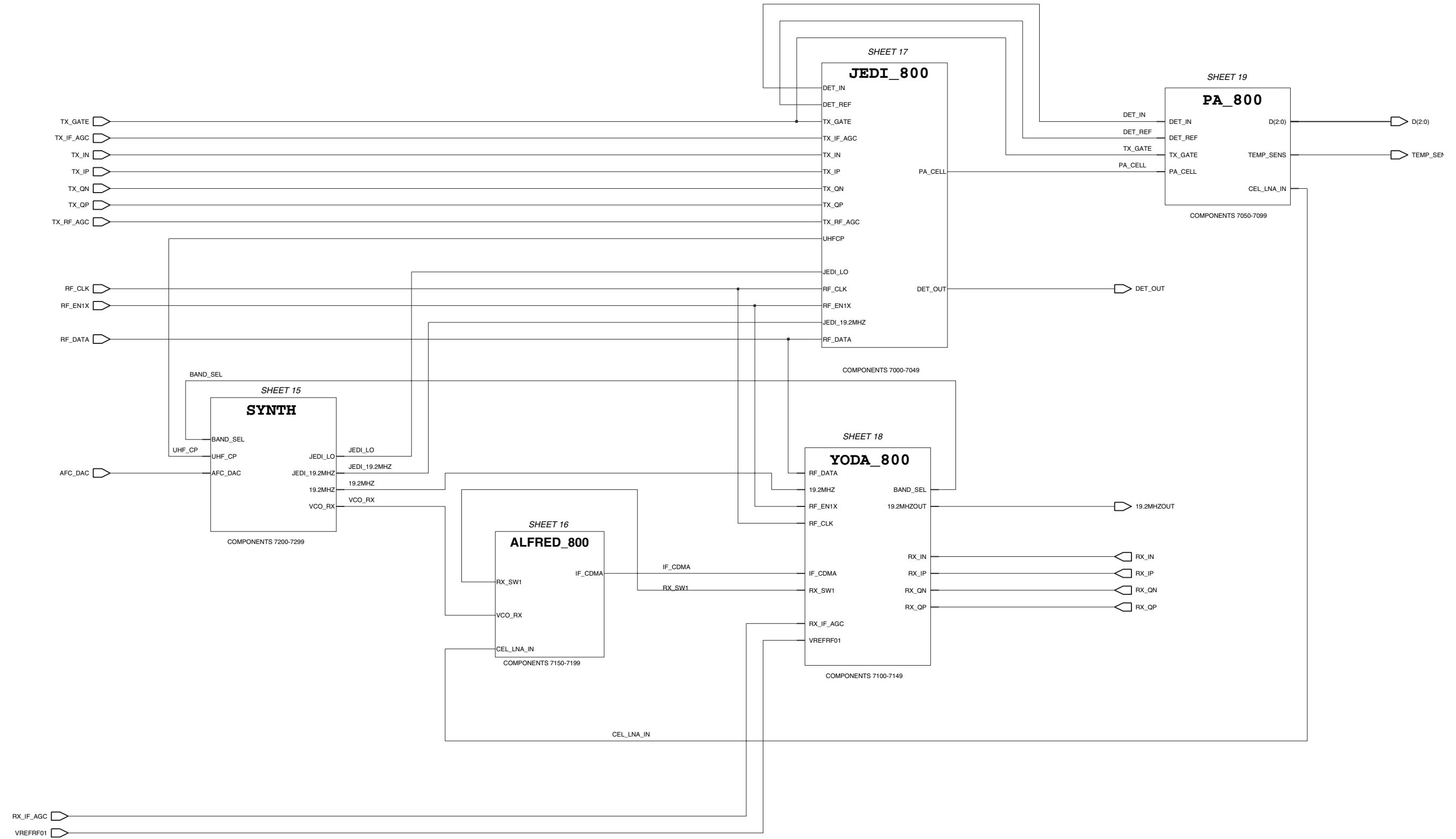
SHEET 13



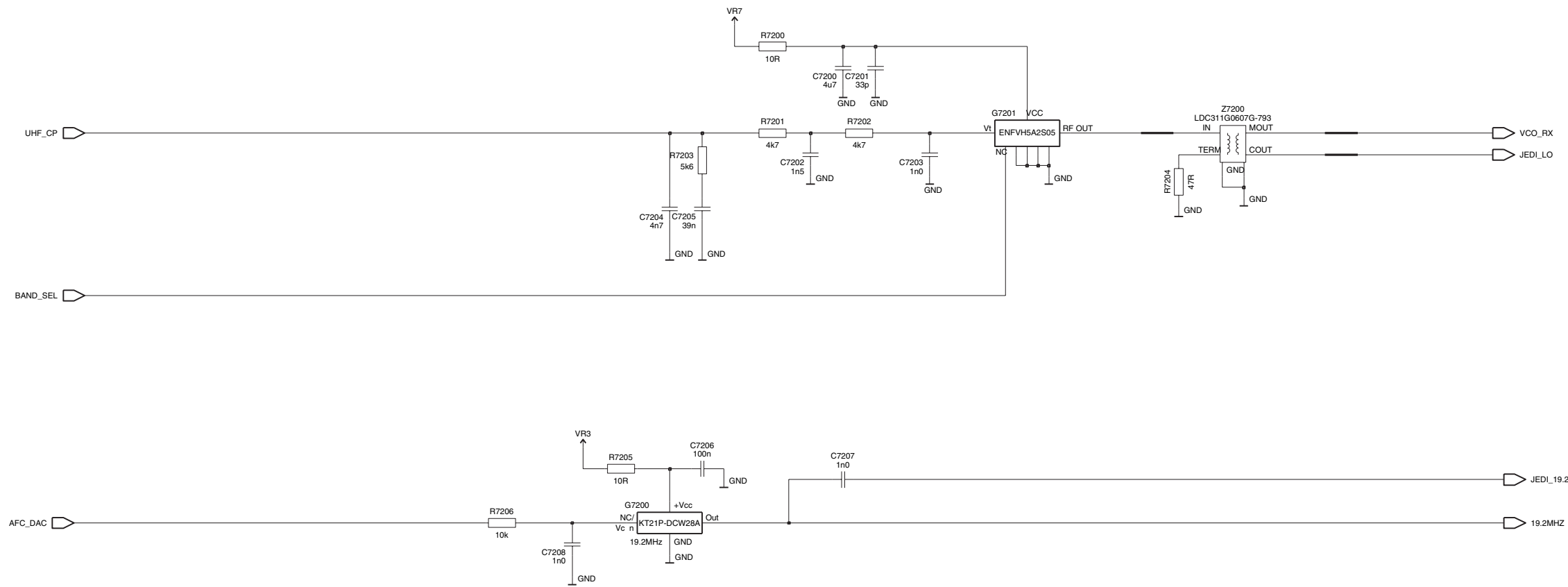
RF Top Level

Version 7

SHEET 14



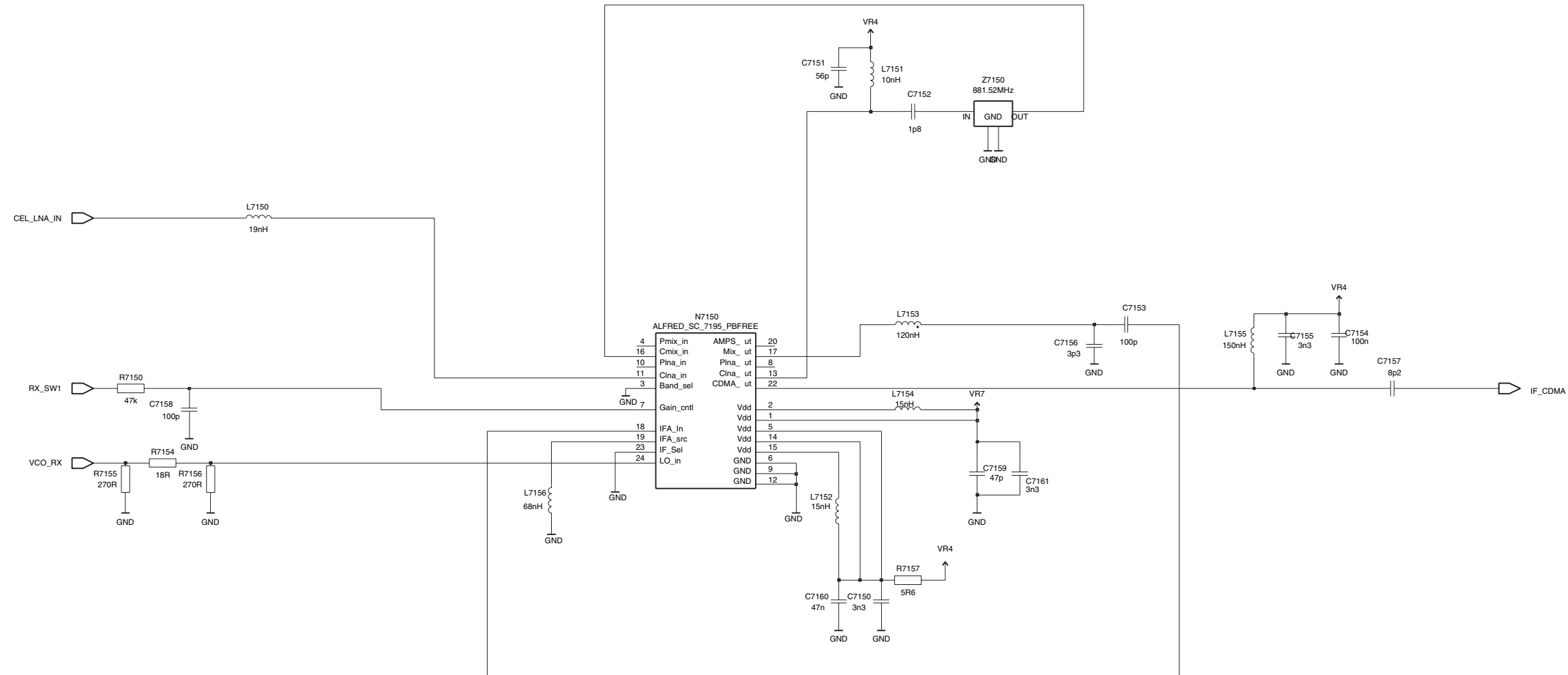
SHEET 15



Front End – Receiver

Version 7

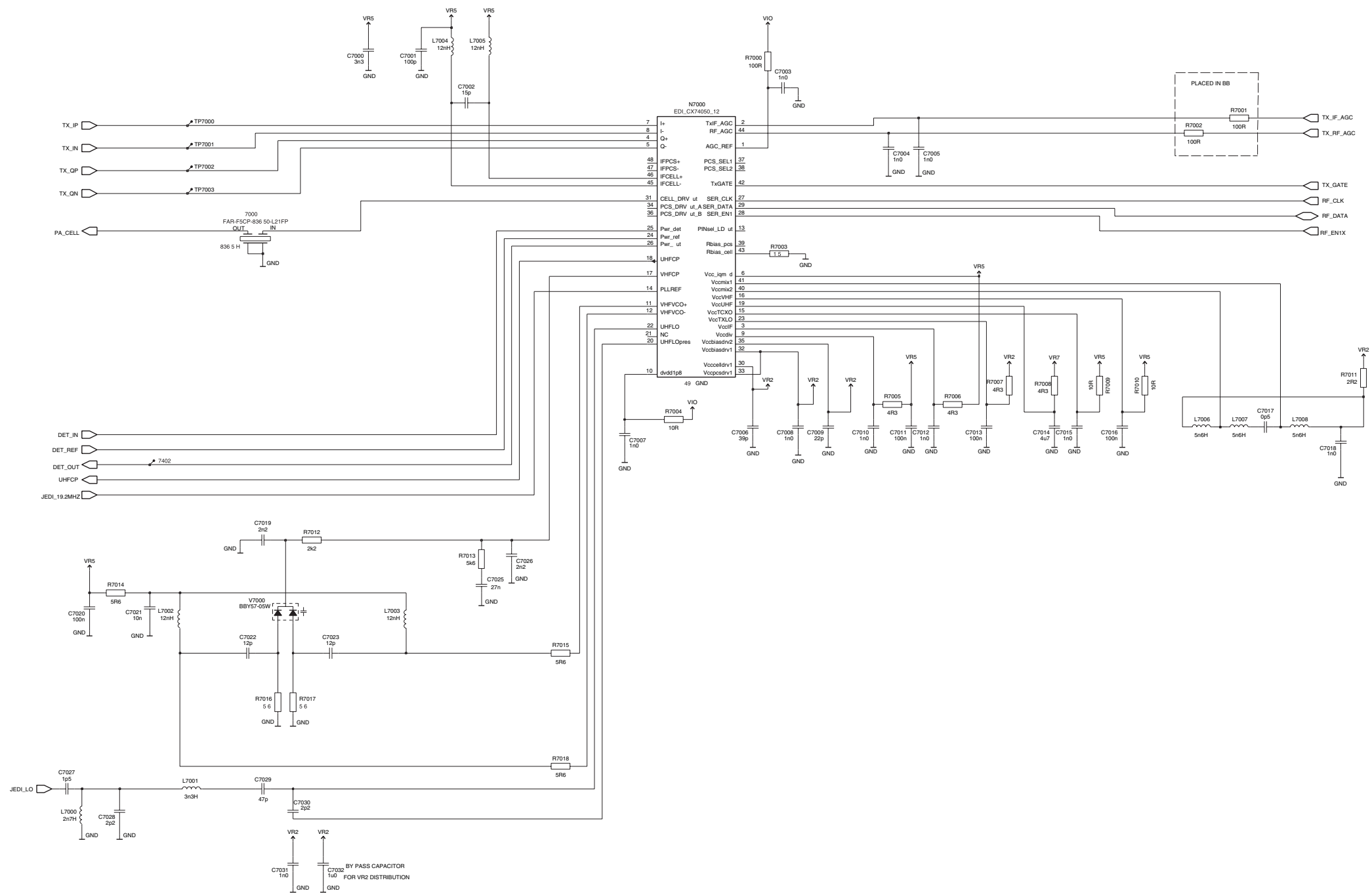
SHEET 16



Transmitter

Version 7

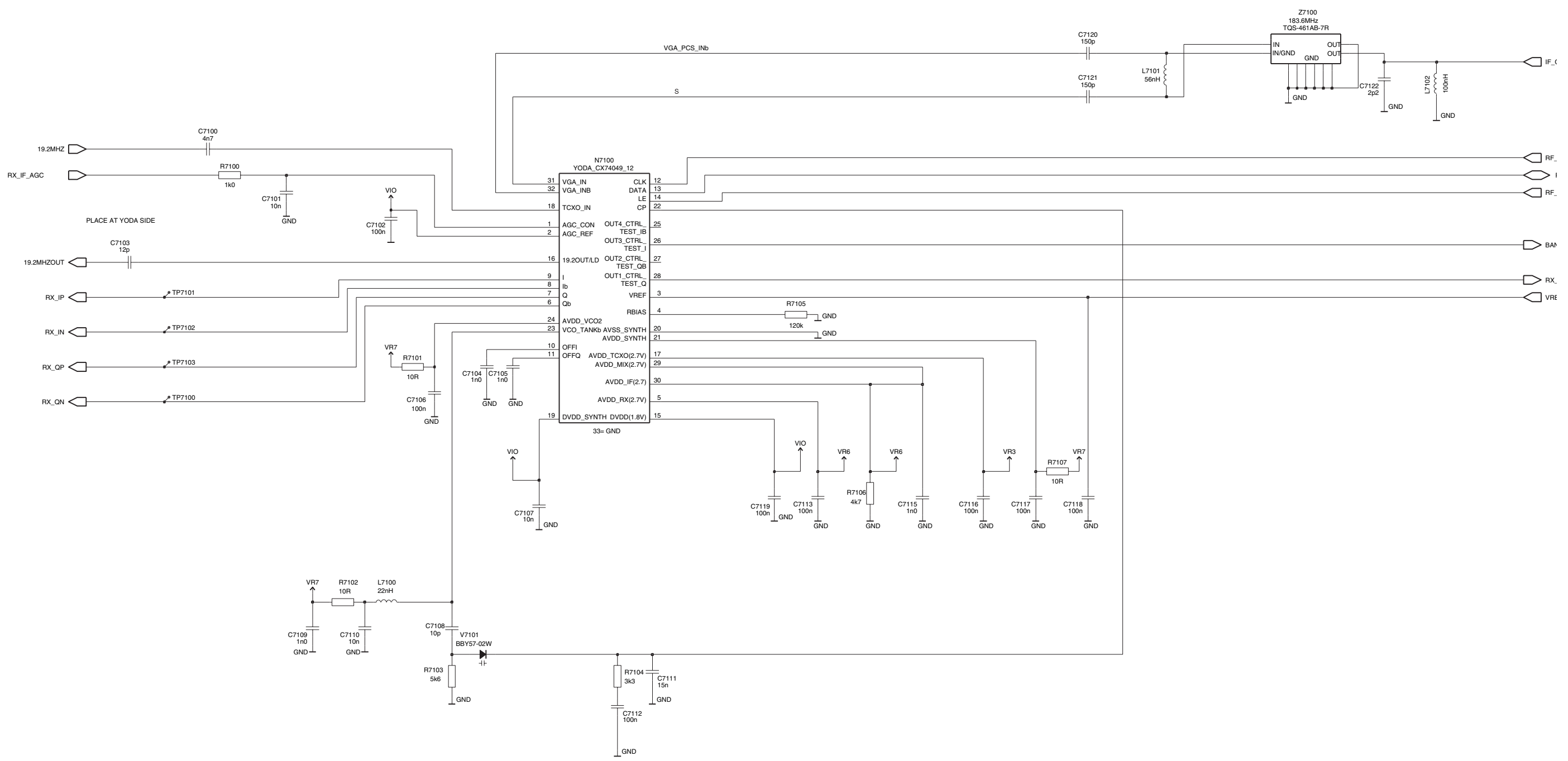
SHEET 17



Receiver

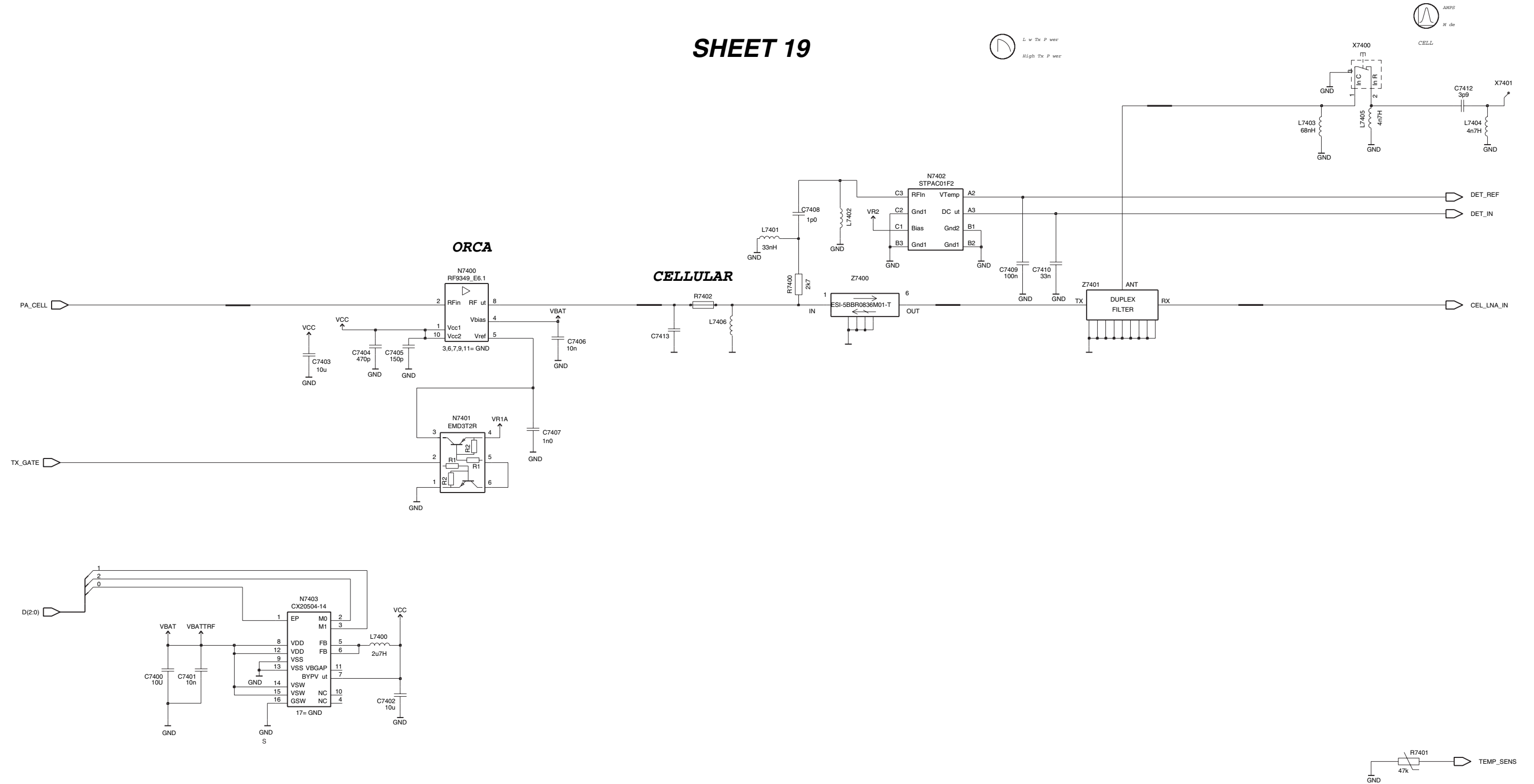
Version 7

SHEET 18

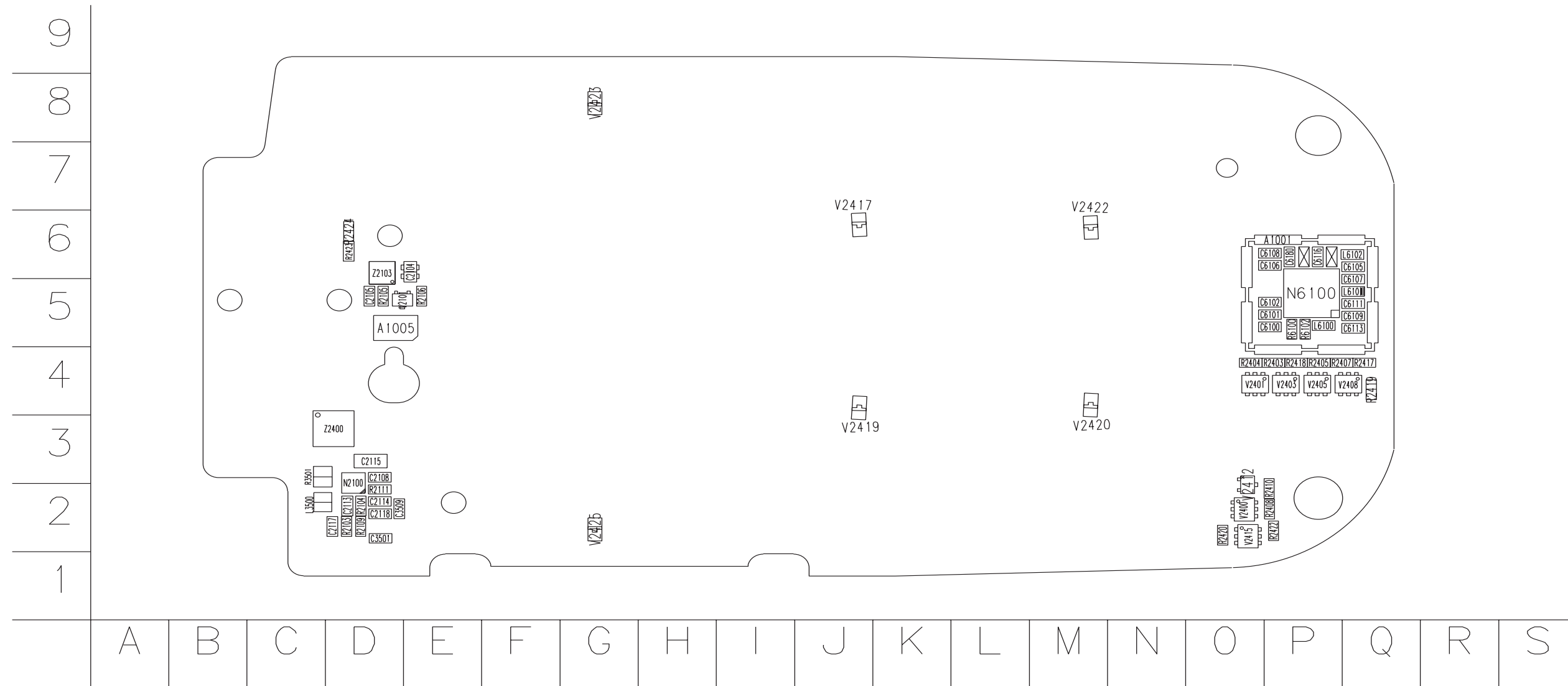


Power Amplifier

SHEET 19



2355 Component Layout - Top



2355 Component Layout - Bottom

